









# C6 UTP PATCH CORD

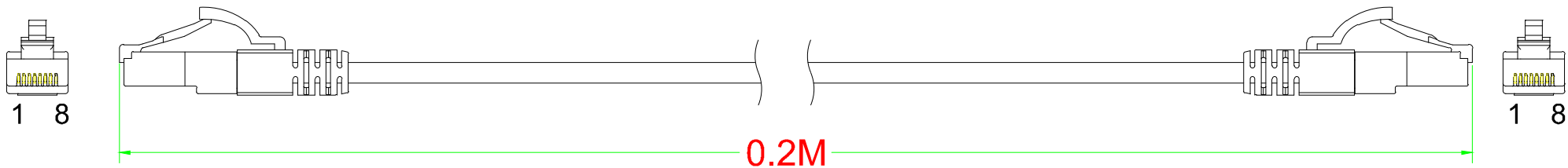
28AWG

產品編號 : 580B7

產品品名 : 3A-CBL28-61U0.2MORPVC63Z

台製 3ANET C6 跳線 28AWG UTP 0.2米 PVC 橘色

| T568B WIRE MAP |   |   |   |       |  |  |  |
|----------------|---|---|---|-------|--|--|--|
| OR/WH          | 1 |  | 1 | OR/WH |  |  |  |
| OR             | 2 |  | 2 | OR    |  |  |  |
| GN/WH          | 3 |  | 3 | GN/WH |  |  |  |
| GN             | 6 |  | 6 | GN    |  |  |  |
| BL/WH          | 5 |  | 5 | BL/WH |  |  |  |
| BL             | 4 |  | 4 | BL    |  |  |  |
| BR/WH          | 7 |  | 7 | BR/WH |  |  |  |
| BR             | 8 |  | 8 | BR    |  |  |  |



## Performance:

Meets C6 ANSI/TIA 568C.2 Standard.

## Materials :

Cable : 28 AWG Bare Copper

Jacket : PVC

Plug : PC / UL-94V2

Contact : Phosphor Bronze / 50 micro inches gold plated

Boot : PC

Operation Temperature : -10 °C ~ +60 °C