









C6 UTP PATCH CORD

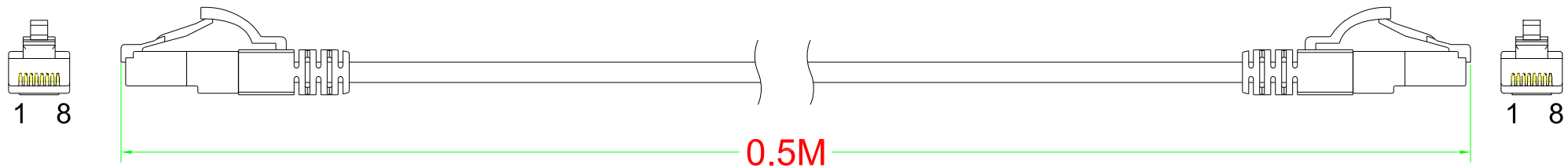
28AWG

產品編號 : 58007

產品品名 : 3A-CBL28-61U0.5MORPVC63Z

台製 3ANET C6 跳線 28AWG UTP 0.5米 PVC 橘色

T568B WIRE MAP							
OR/WH	1		1	OR/WH			
OR	2		2	OR			
GN/WH	3		3	GN/WH			
GN	6		6	GN			
BL/WH	5		5	BL/WH			
BL	4		4	BL			
BR/WH	7		7	BR/WH			
BR	8		8	BR			



Performance:

Meets C6 ANSI/TIA 568C.2 Standard.

Materials :

Cable : 28 AWG Bare Copper

Jacket : PVC

Plug : PC / UL-94V2

Contact : Phosphor Bronze / 50 micro inches gold plated

Boot : PC

Operation Temperature : -10 °C ~ +60 °C