

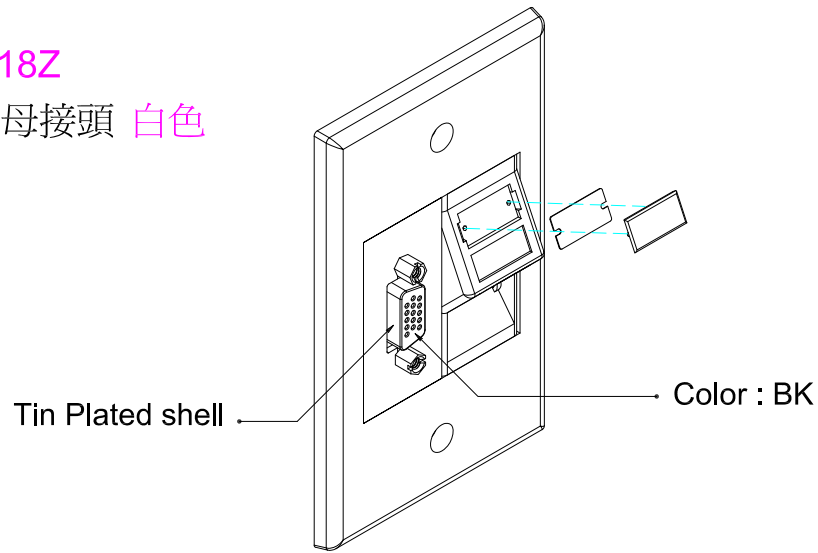
# FACEPLATE

單位 mm

產品編號 : 27654

產品品名 : 3A-FB-2WHVGACBKAHDMISWH18Z

台製 3ANET 美式面板 VGA + HDMI (斜) 母對母接頭 白色



## HDMI

### Materials:

Housing : High-impact Acrylonitrile Butadiene Styrene (ABS resin), UL 94 V-0 rated

Shell : Copper alloy, plated with tin-lead

Contacts : Copper alloy,  $t=0.2$  mm (0.008 in), plated with  $0.38$   $\mu\text{m}$  ( $15$   $\mu\text{in}$ ) °C, UL 94 V-0 rated thick hard gold on contact area

Plastic : High-impact Polybutylene terephthalate (PBT resin) + glass filled 130

PCB : FR4,  $t=1.0$  mm (0.039 in), UL 94 V-0 rated

Plate : Fireproof ABS UL-94V0

Operation Temperature :  $-40$  °C ~  $+70$  °C

