

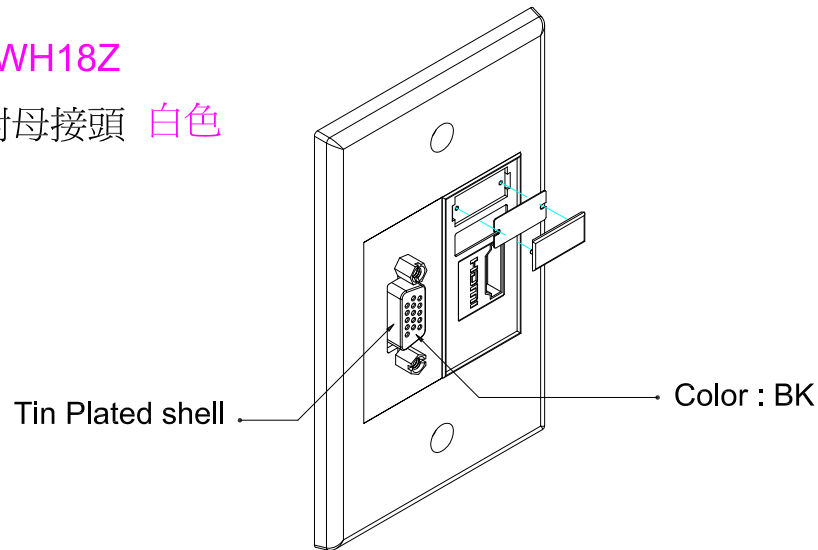
FACEPLATE

單位 mm

產品編號 : 27644

產品品名 : 3A-FB-2WHVGACBKBCLHDMISWH18Z

台製 3ANET 美式面板 VGA + HDMI (平) 母對母接頭 白色



HDMI

Materials:

Housing : High-impact Acrylonitrile Butadiene Styrene (ABS resin), UL 94 V-0 rated

Shell : Copper alloy, plated with tin-lead

Contacts : Copper alloy, $t=0.2$ mm (0.008 in), plated with 0.38 μm (15 μin) °C, UL 94 V-0 rated thick hard gold on contact area

Plastic : High-impact Polybutylene terephthalate (PBT resin) + glass filled 130

PCB : FR4, $t=1.0$ mm (0.039 in), UL 94 V-0 rated

Plate : Fireproof ABS UL-94V0

Operation Temperature : -40 °C ~ $+70$ °C

