













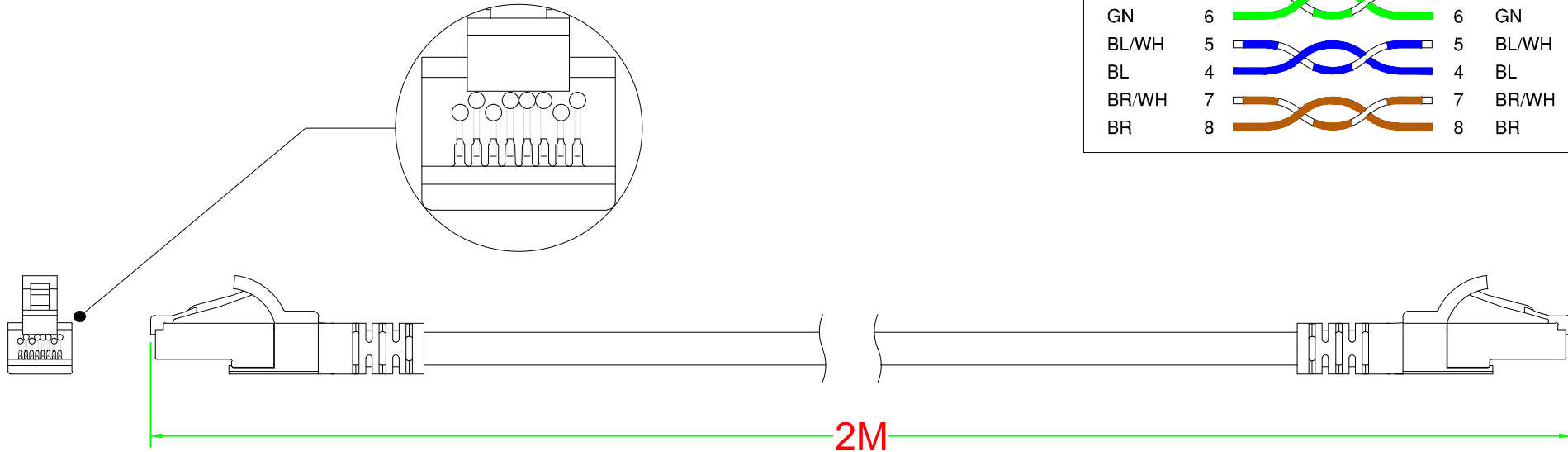
# C6 UTP PATCH CORD

產品編號 : 51028

產品品名 : 3A-CBL-62U2MYL63Z

台製 3ANET C6 跳線 UTP 2米 PVC 黃色

T568B WIRE MAP							
OR/WH	1						
OR	2						
GN/WH	3						
GN	6						
BL/WH	5						
BL	4						
BR/WH	7						
BR	8						



## Performance:

Meets C6 EIA/TIA 568C Standard.

## Materials :

Cable : 24 AWG Bare Copper

Jacket : PVC

PLUG : PC / UL-94V2

Contact : Phosphor Bronze / 50 micro inches gold plated

Boot : PVC

## Electrical Specifications:

Insulation Resistance : 500M ohms (min.)

Contact Resistance : 20m ohms (max.)

DC Resistance : 0.1 ohms (max.)

Current Rating : 1.5 Amps .

Withstanding Voltage : 1000 VAC RMS @ 60Hz / 1 min.

## Mechanical Specifications:

Tensile Strength : 7.7 Kgs

Operation Temperature : -20 °C ~ +70 °C