

FC Metal Adapter

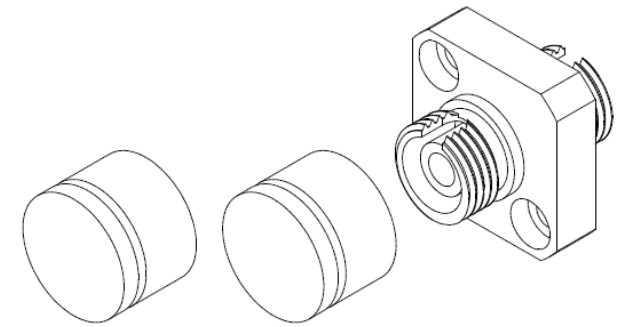
單位:mm

產品編號 : 61286

產品品名 : FOA-FCFCSSMTZ-06

台製 光纖連接器 適配器 耦合器 FC-FC

Simplex Square Type 金屬



Features:

Complies with IEC 61754-4 and JIS compliance

Materials compliant to RoHS

Precision Zirconia split sleeve

High precision alignment

Low insertion and return loss and back reflection

Salt spray test Pass

Material:

Sleeve : Zirconia

Housing: Zinc alloy

Specification:

Insertion Loss: Standard ≤ 0.2 dB

Durability: Standard 500 Cycles

Flammability Rate: UL94-V0

Operating Temperature: $-25^{\circ}\text{C}+70^{\circ}\text{C}$

