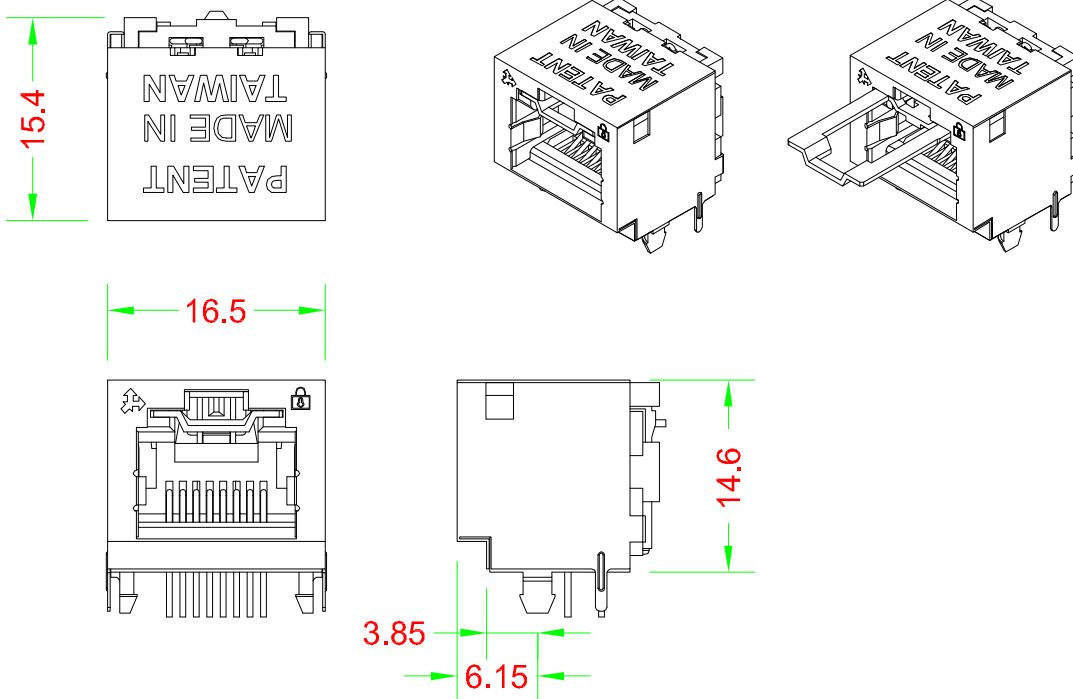


PCB LOCK JACK STP 8P8C 50u



單位:mm



產品編號 : 25036

產品品名 : 3A-JACK-810KS0MTZ

台製 3ANET 屏蔽式金屬外殼 RJ45 STP 帶鎖 Jack (無耳) 金屬

Materials :

- Body : Fireproof UL-94V0-PBT
- Shielded Cover : Brass
- Contact Pin : Phosphor Bronze & 50 micro inches gold plated
- Contact Pin Base : Fireproof UL-94V0-PBT
- Lock Bar : Metal (SPCC)
- Spring : SUS
- Spring Base : fireproof UL-94V2-PC
- Heat Shrinkable Tube : PVC
- Key : Metal (SPCC) & PVC Molding

Electrical Specifications:

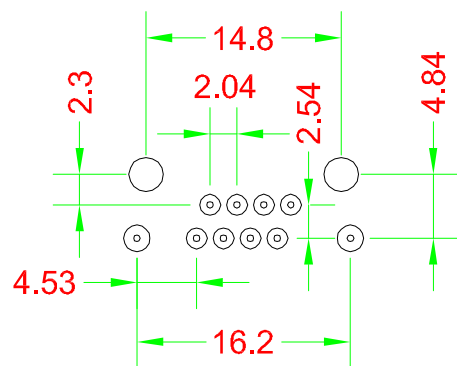
- Insulation Resistance : 500M ohms (min.)
- Contact Resistance : 20m ohms (max.)
- Current Rating : 1.5 Amps .
- DC Resistance : 0.1 ohms (max.)
- Withstanding Voltage : 1000 VAC RMS @ 60Hz / 1 min.

Mechanical Specifications:

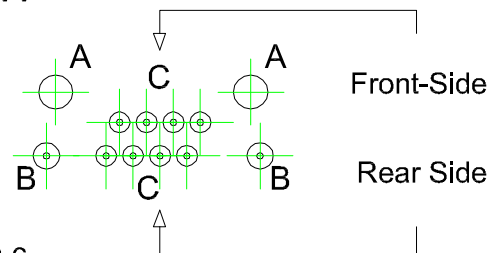
- Jack Insertion Cycle : Over 30K Cycles (min.)
- Lock Bar Tension : 15 kgs (min.)

Operation Temperature : -40 °C ~ +70 °C

TOP-VIEW



PCB Layout



A:2.6mm

B:1.0mm

C:0.8mm

PCB Through Hole

解鎖鑰匙 (選配)

產品編號 : 25022

產品品名 : KEY-M01RDPVCZ

