

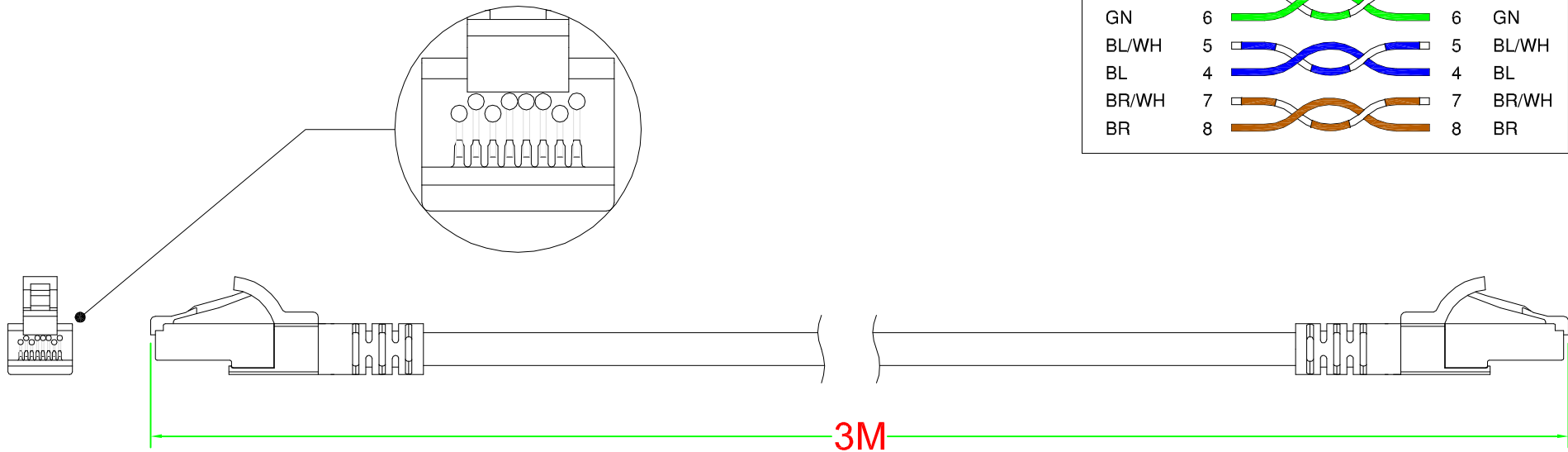
C6 UTP PATCH CORD

產品編號 : 51039

產品品名 : 3A-CBL-62U3MGY63Z

台製 3ANET C6 跳線 UTP 3米 PVC 灰色

| T568B WIRE MAP | | | | | | | |
|----------------|---|--|---|-------|--|--|--|
| OR/WH | 1 | | 1 | OR/WH | | | |
| OR | 2 | | 2 | OR | | | |
| GN/WH | 3 | | 3 | GN/WH | | | |
| GN | 6 | | 6 | GN | | | |
| BL/WH | 5 | | 5 | BL/WH | | | |
| BL | 4 | | 4 | BL | | | |
| BR/WH | 7 | | 7 | BR/WH | | | |
| BR | 8 | | 8 | BR | | | |



Performance:

Meets C6 EIA/TIA 568C Standard.

Materials :

Cable : 24 AWG Bare Copper

Jacket : PVC

PLUG : PC / UL-94V2

Contact : Phosphor Bronze / 50 micro inches gold plated

Boot : PVC

Electrical Specifications:

Insulation Resistance : 500M ohms (min.)

Contact Resistance : 20m ohms (max.)

DC Resistance : 0.1 ohms (max.)

Current Rating : 1.5 Amps .

Withstanding Voltage : 1000 VAC RMS @ 60Hz / 1 min.

Mechanical Specifications:

Tensile Strength : 7.7 Kgs

Operation Temperature : -20 °C ~ +70 °C