

C6 MODULE SNAP UTP 50u

單位:mm

產品編號 : 27234

產品品名 : SNP-BML2550WH6UZ

台製 免用打線工具的 RJ45 C6 UTP Tooless
資訊插座平板模組 白色

Performance:

Meets C6 EIA/TIA 568B Standard.

Materials:

Body : Fireproof ABS UL-94V0
Jack : 8P8C 50 micro inches gold plated
PCB : FR-4 / UL-94V0
IDC Body : Fireproof ABS UL-94V0
IDC Cap : Fireproof PC
IDC Pin : Phosphor Bronze & Tinned

IDC Description : For 22-26 AWG.

For 110 or Krone punch-down Tool
Tooless (when use IDC cap directly)

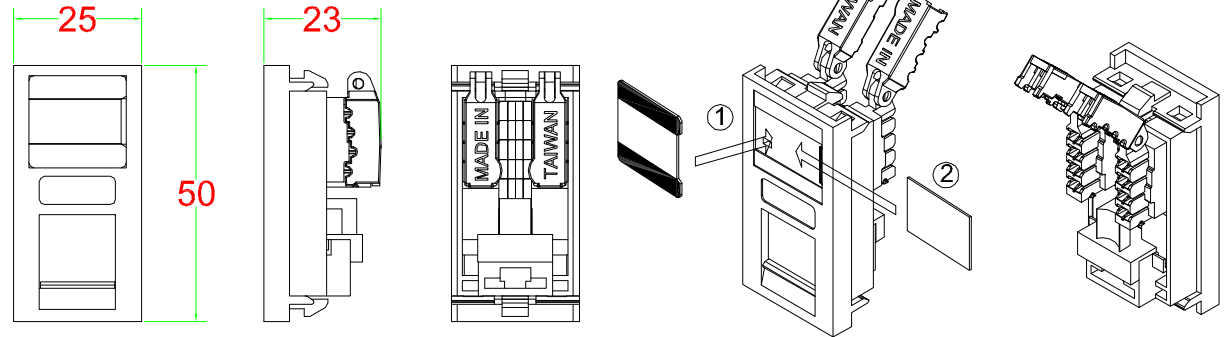
Electrical Specifications:

Insulation Resistance : 500M ohms (min.)
Contact Resistance : 20m ohms (max.)
Current Rating : 1.5 Amps .
DC Resistance : 0.1 ohms (max.)
Withstanding Voltage : 1000 VAC RMS @ 60Hz / 1 min.

Mechanical Specifications:

IDC Punch Down Cycle : Over 250 Cycles (min.)
Jack Insertion Cycle : Over 2000 Cycles (min.)

Operation Temperature : -40 °C ~ +70 °C



搭配面板 (選配)

產品編號 : 27214

產品品名 : 3A-FPLB-2WHZ

產品編號 : 27204

產品品名 : 3A-FPLB-1WHZ

